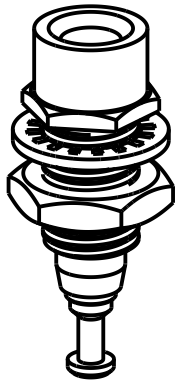
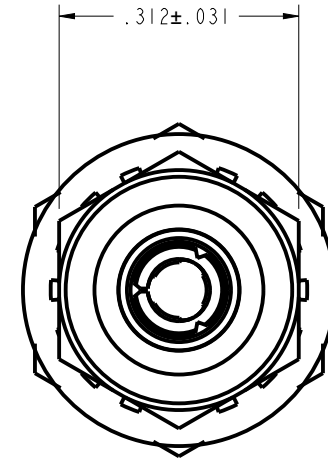
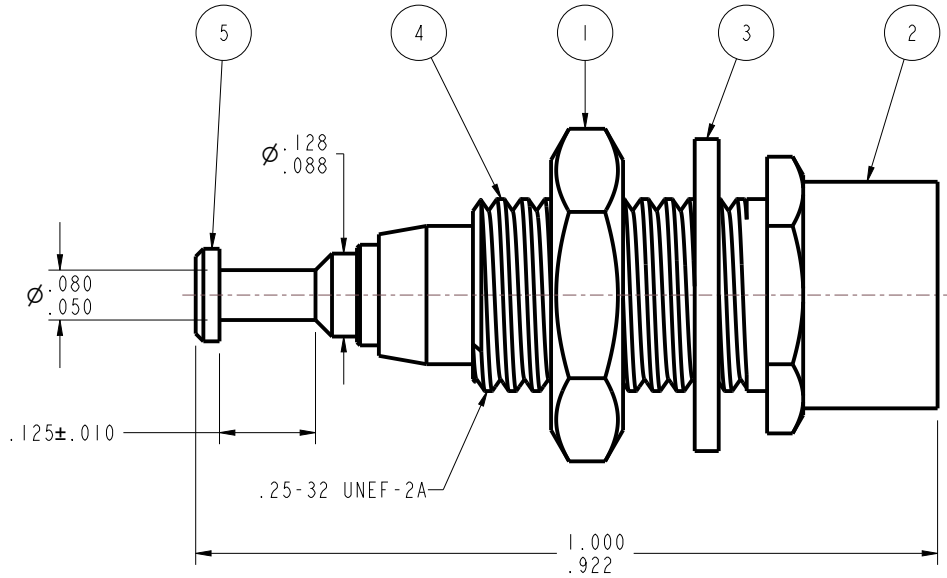


ITEM NO	DESCRIPTION
1	HEX NUT
2	INSULATOR BUSHING
3	LOCK WASHER
4	SHELL
5	SUB ASSEMBLY

-XX	COLOR
-01	White
-02	Red
-03	Black
-04	Brown
-05	Green
-06	Orange
-07	Blue
-08	Yellow
-09	Gray
-10	Purple



SCALE 2.000

- NOTES:
 1. DIMENSIONS ARE IN INCHES
 2. UNLESS OTHERWISE SPECIFIED, TOLERANCES ARE ±.010 FOR THREE PLACE DECIMALS AND ±.030 FOR TWO PLACE
 3. ONE HEX NUT AND ONE WASHER ARE TO BE SUPPLIED UNASSEMBLED
 4. PN: M30924-10-XX (XX IS THE INSULATION COLOR)
 5. REFERENCE: A09-9228-1-XXXX

MATERIAL:		FINISH:		HT:	
DIMENSIONAL TOLERANCES UNLESS OTHERWISE STATED				TITLE: INSULATED TIP JACK W/ TURRET	
.XX		.XXX		PN: M30924-10-XX	
±.01		±.005			
FRACTIONS		ANGLES			
±1/64		±10°		DRAWN: JJF DATE:	
SURFACE FINISH		CONCENTRICITY		CHECKED: DE DATE:	
√125 Ra		◎ .002		APPROVED: JS DATE:	

THIS DRAWING AND THE INFORMATION THEREIN IS THE PROPERTY OF ABBATRON, LLC AND ALL UNAUTHORIZED USE OR REPRODUCTION THEREOF IS PROHIBITED.



SIZE	DRAWING NUMBER	REV.
A	M30924-10-T	